



- **Non-magnetic**
- **Direct drive – backlash free**
- **Microradian resolution**
- **No power draw in hold position**
- **Quick response**

The LR50 motor is non-magnetic. It is intended for a large range of applications where there is demand for non-magnetic material in motor. The very high speed dynamics and micro radian precision makes it ideal for numerous applications. High torque output in a small package is also beneficial.

The Piezo LEGS technology is characterized by its outstanding precision. Fast speed and quick response time, as well as long service life are other benefits. In combination with the micro radian resolution the technology is quite unique.

The motor is ideally suited for move and hold applications or for automatic adjustments. When in hold position it does not consume any power. The drive technology is direct, meaning no gears are needed to create motion. The motor has no mechanical play or backlash. LR50 non-magnetic motor is available in a standard version, and in a vacuum version.

Operating modes

The motor can move in full steps (waveformm-steps), or partial steps (microsteps) giving positioning resolution in the microradian range. Speed is adjustable from microsteps per second up to max specified.

Controlling the motor

PiezoMotor offers a range of drivers and controllers. The most basic one is a handheld push button driver. Another option is an analogue driver that regulates the motor speed by means of an ± 10 V analog interface. More advanced alternatives are microstep drivers/controllers in the 100- and 200-series. These products allow for closed loop control and precise positioning. The microstepping feature divides the wfm-step into thousands of small increments which results in microsteps in the microradian range. The PMD units are straight forward to use, supports quadrature and serial sensors, and have multiple I/O ports.



PMD101



PMD206

Design your own driver

Some customers prefer to design their own driver for ease of integration. PiezoMotor provides information to assist in the design.

Ordering information

Motor

LR5012D-	Non-magnetic vacuum
----------	---------------------

Drivers and Controllers

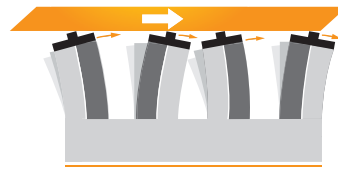
PMCM21	Handheld push button driver
PMCM31	Analogue driver
PMD101	1-axis microstepping driver
PMD206	6-axis microstepping driver
PMD236	36-axis microstepping driver

Operating Principle

The Piezo LEGS walking principle is of the non-resonant type, i.e. the position of the drive legs is known at any given moment. This assures very good control of the motion over the whole speed range.

The performance of a Piezo LEGS motor is different from that of a DC or stepper motor in several aspects. A Piezo LEGS motor is friction based, meaning the motion is transferred through contact friction between the drive leg and the drive disc. You cannot rely on each step being equal to the next. This is especially true if the motor is operated under varying torques, as shown in the diagram below. For each waveform cycle the Piezo LEGS motor will take one full step, referred to as one *wfm-step* (~0.9 mrad at no load with waveform *Rhomb*). In the schematic illustrations to the right, you can see one step being completed. The rotational velocity of the drive axle is the *wfm-step* angle multiplied with the waveform frequency ($0.9 \text{ mrad} \times 2 \text{ kHz} = 1.8 \text{ rad/s} = 100 \text{ }^\circ/\text{s}$).

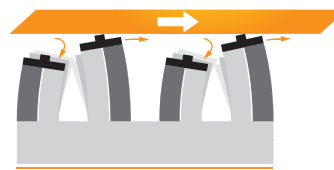
Microstepping is achieved by dividing the *wfm-step* into discrete points. The resolution will be a combination of the number of points in the waveform, and the torque. Example: at 25 mNm torque the typical *wfm-step* angle with waveform *Delta* is ~0.55 mrad, and with 8192 discrete points in the waveform the microstep resolution will be ~70 nrad (nano-radians).



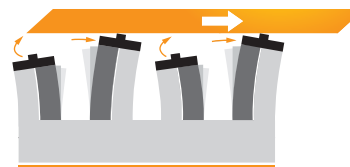
1 When all legs are electrically activated they are elongated and bending. As we shall see below, alternate legs move as pairs. Arrows show the direction of motion of the tip of each leg.



2 The first pair of legs maintains contact with the drive disc and moves towards the right. The second pair retracts and their tips begin to move left.



3 The second pair of legs has now extended and repositioned in contact with the drive disc. Their tips begin moving right. The first pair retracts and their tips begin to move left.



4 The second pair of legs has moved right. The first pair begins to elongate and move up towards the drive disc.

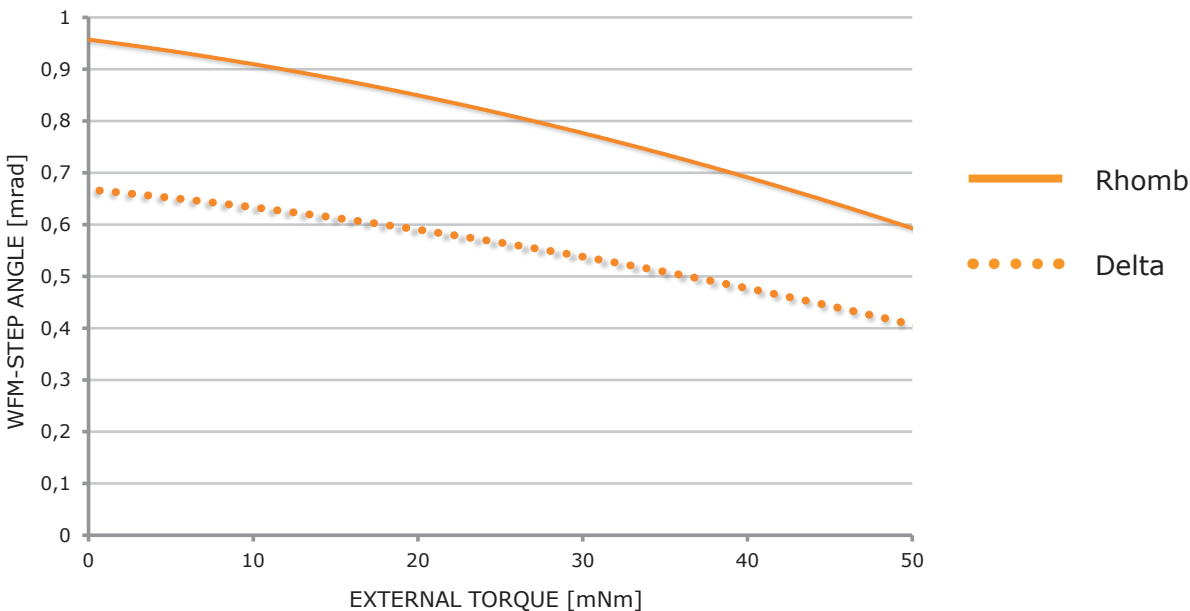
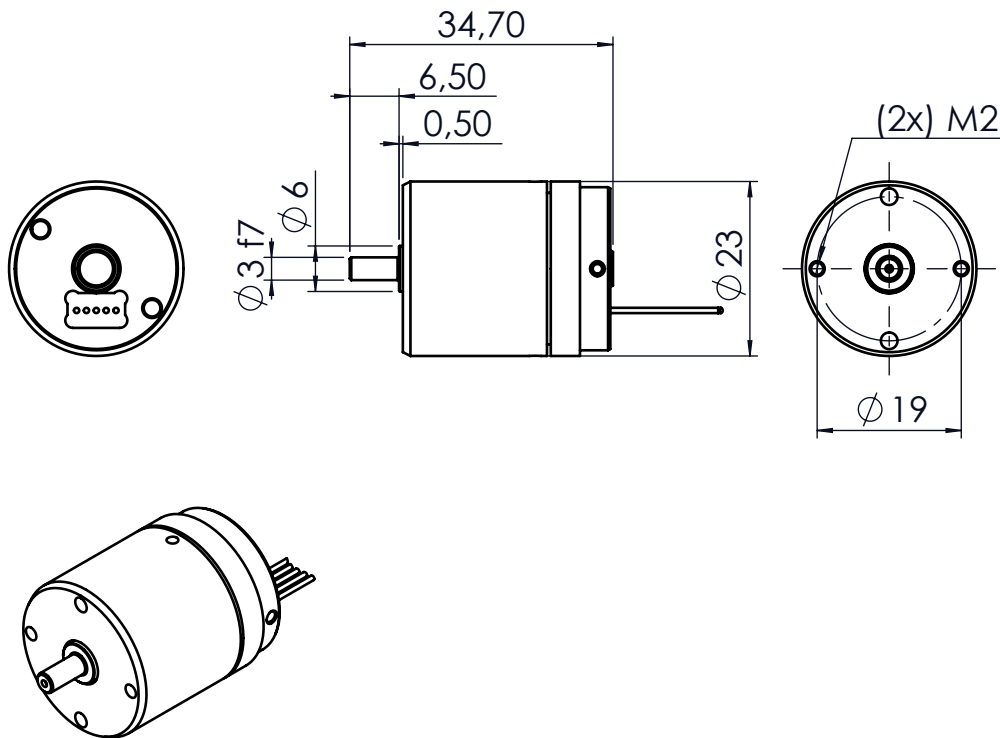


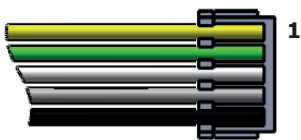
Figure 1 Motor performance with waveform *Rhomb* (filled) and waveform *Delta* (dotted). *Wfm-step* angle is the average distance the drive disc rotates when the legs take one *wfm-step* (i.e. for one waveform cycle). Note: Standard deviation σ of 0.1 mrad should be taken into account. Typical values are given for 20°C.

**Main Dimensions LR5012D
Non-Magnetic Vacuum**


Note: Refer to drawings for details.

Electrical Connector Type

Motor type D (non-magnetic vacuum) have soldered cables with connector of type JST 05SR-3S.


Pin Assignment

Pin	Terminal	Cable Color
1	Phase 1	Yellow
2	Phase 2	Green
3	Phase 3	White
4	Phase 4	Grey
5	Ground (GND)	Black or brown

Technical Specification			
Type	LR5012D non-magnetic vacuum	Unit	Note
Angular Range	360	°	continuous
Speed Range ^a	0-100	°/s	recommended, no load
Step Angle ^b	550	µrad	one wfm-step
	0.07 ^c	µrad	one microstep ^c
Resolution	< 0.1	µrad	driver dependent
Recommended Operating Range	0-25	mNm	for best microstepping performance and life time
Stall Torque	50	mNm	
Holding Torque	55	mNm	
Shaft Load, Max.	3	N	radial (5 mm from mounting face)
	2	N	axial
Shaft Press Fit Force, Max.	5	N	
Vacuum	10 ⁻⁷	torr	
Maximum Voltage	48	V	
Power Consumption ^d	7	mW/Hz	=0.7 W at 100 Hz wfm-step frequency
Connector	soldered cable with JST 05SR-3S		
Mechanical Size	Ø23 x 34.1	mm	see drawing for details
Material in Motor Housing	Non-magnetic		
Weight	60	gram	
Operating Temperature	-20 to +70	°C	

a. Max value is typical for waveform *Rhomb* at 2 kHz, no load, temperature 20°C.

b. Typical value for waveform *Delta*, 25 mNm torque, temperature 20°C.

c. Driver dependent; 8192 microsteps per wfm-step for driver in the PMD200-series.

d. At temperature 20°C, intermittent runs.

Note: All specifications are subject to change without notice.

Item no.

LR5012D-00B10

Family name

LEGS Rotary

Stall torque

50 = 50 mNm

Version

Motor type
D = NMV / Non-Magnetic Vacuum

Encoder

00 = No Encoder (only option)

Connector/Cable

B10 = 1.0 m Teflon flying wires PTFE AWG28 for connection to driver PMD101 and PMCM31

For connection to driver PMD206 or PMD236 you need a D-sub adapter, p/n CK6280.

Visit our website for application examples,
CAD files, videos and more...

www.piezomotor.com



PiezoMotor Uppsala AB
Stålgatan 14
SE-754 50 Uppsala, Sweden

Telephone: +46 18 489 5000
Fax: +46 18 489 5001

info@piezomotor.com
www.piezomotor.com

