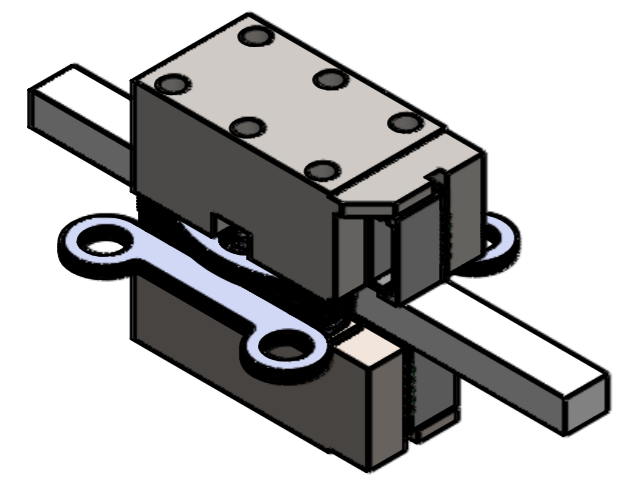
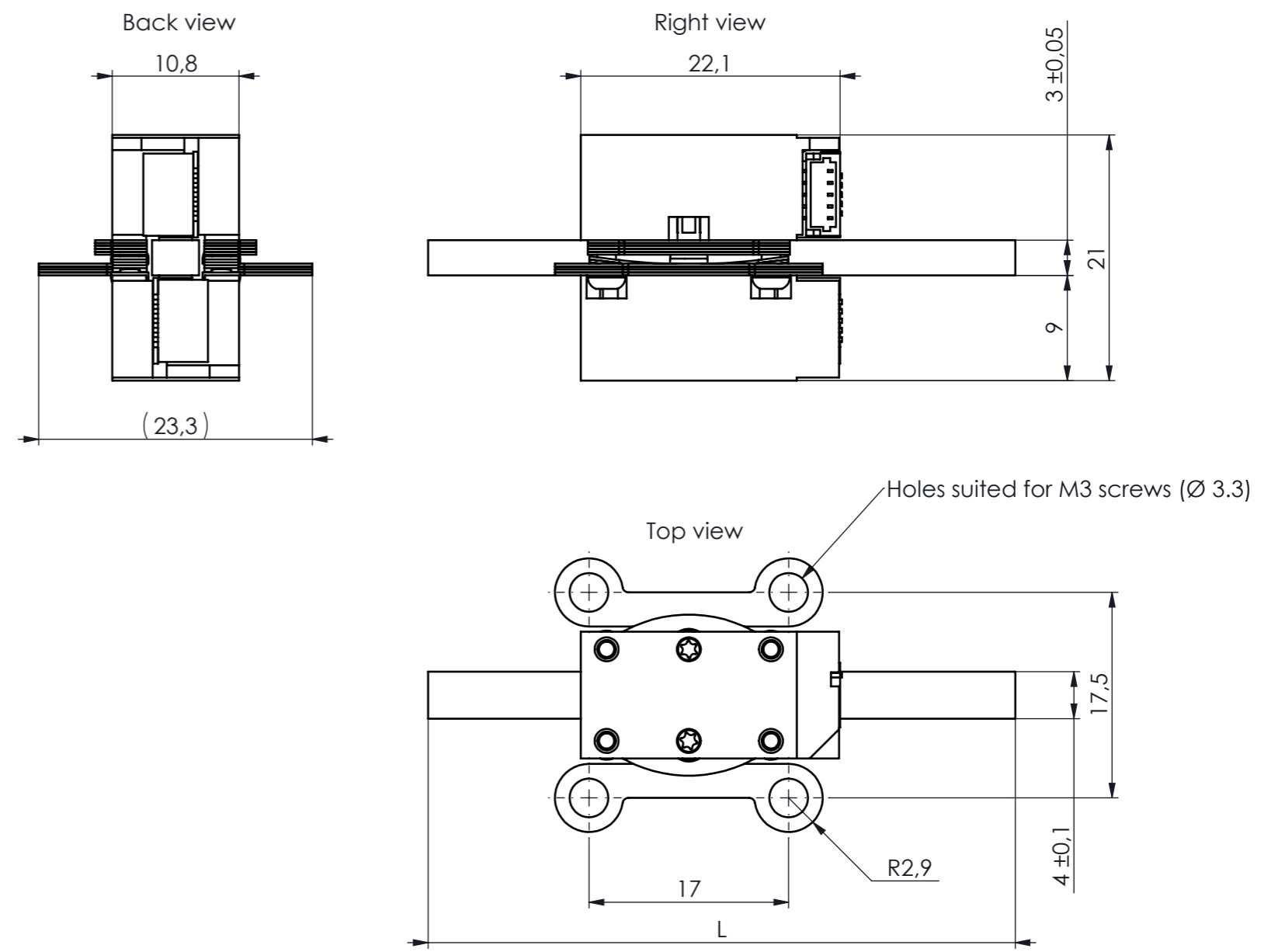
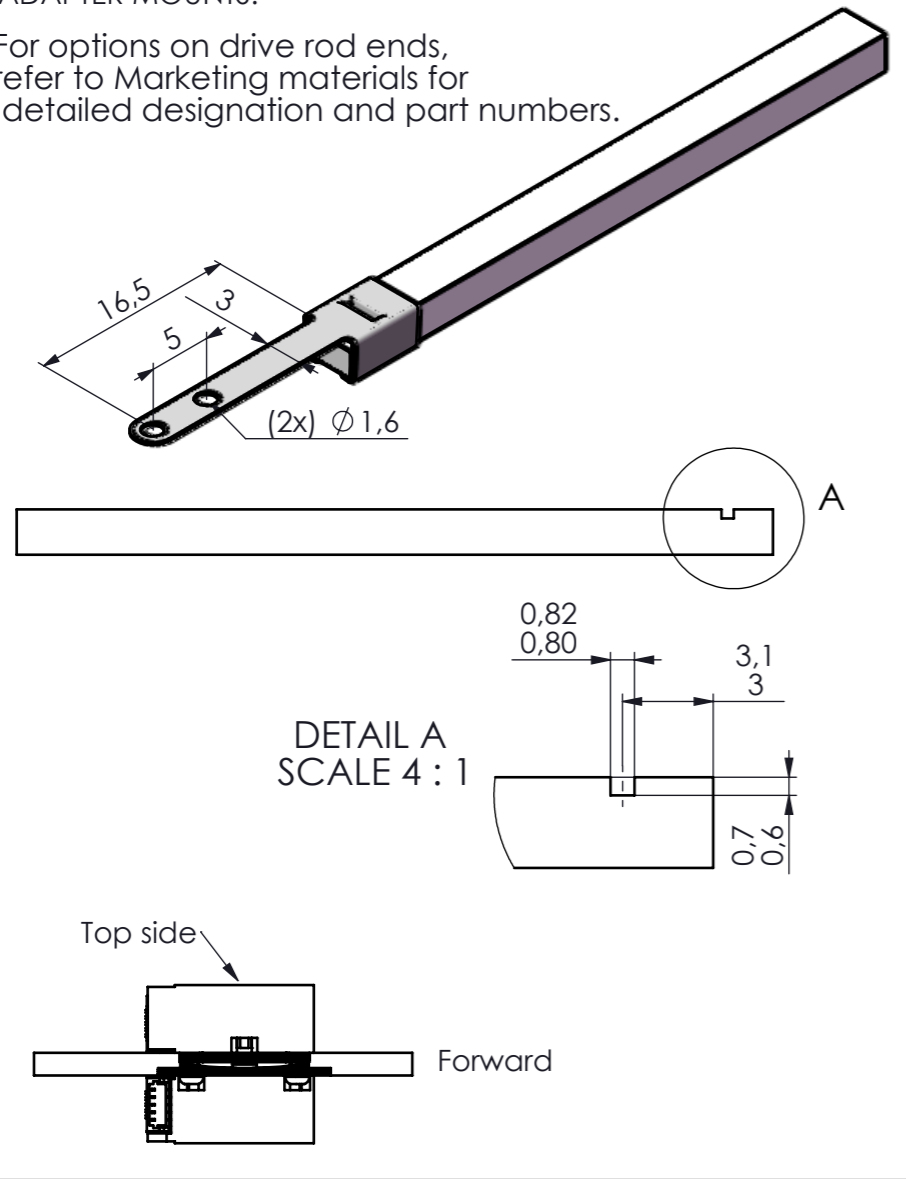


Rev	Description
02	New drawing sheets, Description/ Drawing No. was PiezoLEGS Twin 20N-S/ LEGS-LT02S-10.

DRIVE RAIL SLOT OPTIONS./ ADAPTER MOUNTS.

For options on drive rod ends, refer to Marketing materials for detailed designation and part numbers.



SHEET 1. Product overview and build-in dimensions.
SHEET 2. Part list and manufacturing information.
SHEET 3. Misc.

UNLESS OTHERWISE SPECIFIED DIMENSIONS ARE IN MM		CAD GENERATED DRAWING, DO NOT MANUALLY UPDATE			
TOLERANCES ARE: ISO 2768-Min		APPROVALS			
THREADS ARE: ISO 965-1, 2 6H/6g		DRAWN	PBN	2009-01-26	
DIAMETER H12/h12		REVISED	USD	2011-09-20	
ANGLES ±1°		REVIEWED	PVM	2011-09-28	
MATERIAL		APPROVED	ALN	2011-09-28	
FINISH		SCALE	2:1	SIZE A3	DWG. NO. 101747
DO NOT SCALE DRAWING				CAD FILE: 101747 LT20-10 SS M3 02	REV. 02
					SHEET 1 OF 3

THE INFORMATION CONTAINED IN THIS DRAWING IS THE SOLE PROPERTY OF PiezoMotor Uppsala AB ANY REPRODUCTION IN PART OR WHOLE WITHOUT THE WRITTEN PERMISSION OF PiezoMotor Uppsala AB IS PROHIBITED.